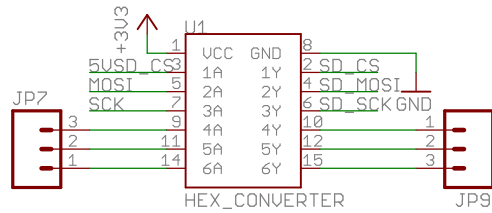
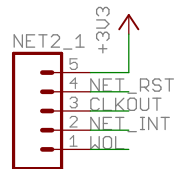
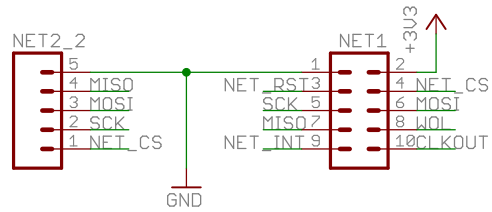
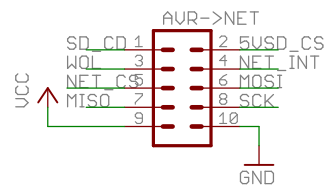
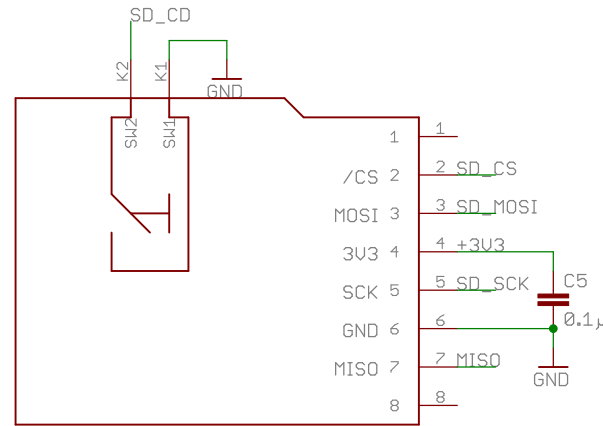


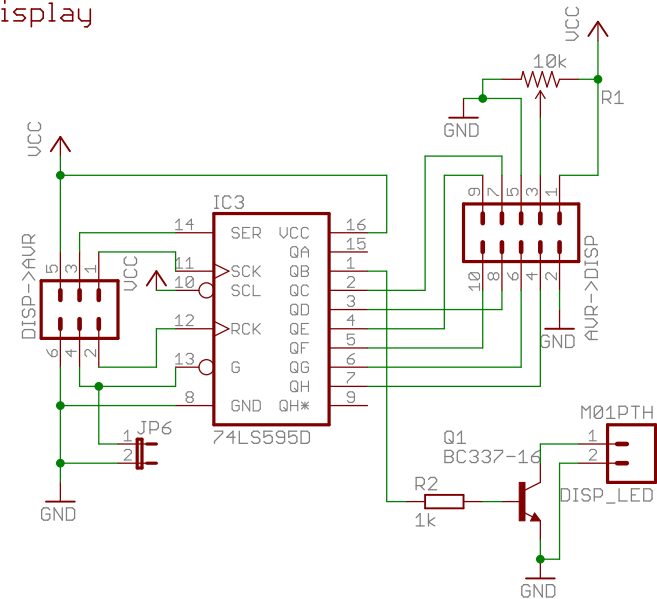
### Network



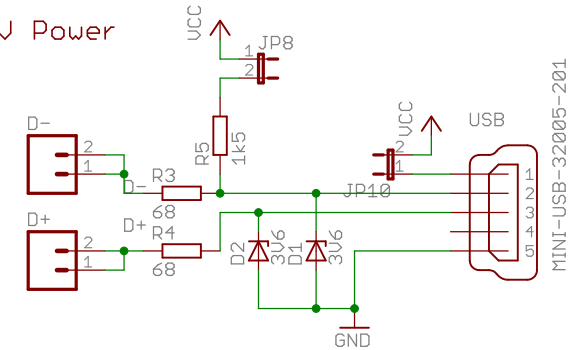
### SD Card



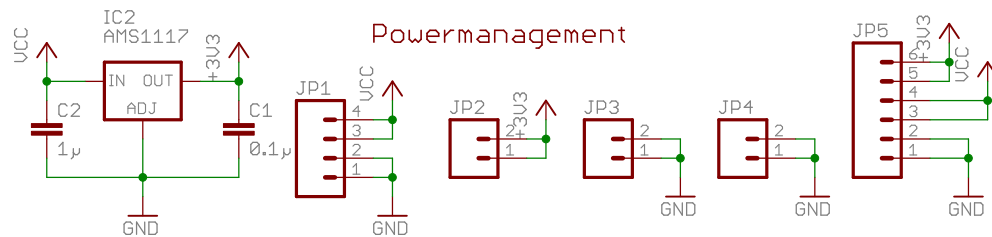
### Display



### USB & 5V Power



### Powermanagement



TITLE: net-sd-disp-board

Document Number:

REV:

Date: 24.10.11 01:40